



SMART LABEL PRINTER®  
User's Guide  
Models 620, 650, and 650SE

U00128837216

For Windows®, Windows® 8.1, Windows® 10, and Windows® 11,  
or macOS™ 10.14, macOS™ 10.15, macOS™ 11, and macOS™ 12.  
SMART LABEL PRINTER® Series

Seiko Instruments Inc.

U00128837200	November 2012
U00128837201	February 2013
U00128837202	February 2013
U00128837203	July 2013
U00128837204	October 2013
U00128837205	May 2014
U00128837206	November 2014
U00128837207	April 2015
U00128837208	March 2016
U00128837209	March 2017
U00128837210	April 2018
U00128837211	April 2020
U00128837212	May 2020
U00128837213	November 2021
U00128837214	January 2022
U00128837215	July 2022
U00128837216	October 2022

## Copyright

Copyright © 2012-2022 by Seiko Instruments Inc. All rights reserved. No parts of this publication may be reproduced, stored in a retrieval system, or transmitted, in any form, or by any means, electronic, mechanical, photocopying, recording, or otherwise without the prior written permission of Seiko Instruments Inc. No patent liability is assumed with respect to the use of information contained herein. While every precaution has been taken in the preparation of this publication, Seiko Instruments USA Inc. assumes no responsibility for errors or omissions. Nor is any liability assumed for damages resulting from the use of information contained herein. Further, this publication and features described herein are subject to change without notice.

## Trademark Information

"SII" is a registered trademark of Seiko Instruments Inc. "SMART LABEL PRINTER®" is a registered trademark and "SmartLabels™" is a trademark of Seiko Instruments USA Inc.

Microsoft®, Word®, Excel®, Outlook®, Access® and Windows® are either registered trademarks or trademarks of Microsoft Corporation in the U.S.A. and other countries.

macOS™ is a registered trademark of Apple Inc. in the U.S.A. and other countries.

Other brand and product names are trademarks or registered trademarks of their respective holders.

## FCC Compliance Statement

This equipment has been tested and found to comply with the limits for a Class B digital device, pursuant to Part 15 of the FCC Rules. These limits are designed to provide reasonable protection against harmful interference in a residential installation. This equipment generates, uses and can radiate radio frequency energy and, if not installed and used in accordance with the instructions, may cause harmful interference to radio communications. However, there is no guarantee that interference will not occur in a particular installation. If this equipment does cause harmful interference to radio or television reception, which can be determined by turning the equipment off and on, the user is encouraged to try to correct the interference by one or more of the following measures:

- Reorient or relocate the receiving antenna.
- Increase the separation between the equipment and receiver.
- Connect the equipment into an outlet on a circuit different from that to which the receiver is connected.
- Consult the dealer or an experienced radio/TV technician for help.

Changes or modifications not expressly approved by Seiko Instruments could void the user's authority to operate the equipment.

## Industry Canada (IC) compliance statement

Operation is subject to the following two conditions: (1) this device may not cause interference, and (2) this device must accept any interference, including interference that may cause undesired operation of the device.

## Applicable EC Directives and Standards

Directive	Title
2014/30/EU	EC Electromagnetic Compatibility Directive
2014/35/EU	EC Low Voltage Directive
2009/125/EC	Directive on Eco-Design of Energy-related Products
2011/65/EU (Commission Delegated Directive (EU) 2015/863)	Restriction of the use of certain hazardous substances (RoHS) Directive

### Standards

EMC	EN 55032 class B
	EN IEC 61000-3-2
	EN 61000-3-3
	EN 55035
LVD	EN 62368-1
ErP	EN 50564
RoHS	EN IEC 63000

Restrictions: This product is for use only with nominal voltage in each country.

## Applicable UK Directive and Standards

### Directive

Electromagnetic Compatibility Regulations 2016  
Electrical Equipment (Safety) Regulations 2016  
The Ecodesign for Energy-Related Products and Energy Information (Amendment) (EU Exit) Regulations 2019  
The Restriction of the Use of Certain Hazardous Substances in Electrical and Electronic Equipment Regulations 2012

### Standards

BS EN 55032 class B  
BS EN IEC 61000-3-2  
BS EN 61000-3-3  
BS EN 55035  
BS EN 62368-1  
BS EN 50564  
BS EN IEC 63000

Restrictions: This product is for use only with nominal voltage in each country.

### For use in Turkey

Complies with Electrical and Electronic Equipment Directive.

Türkiye' deki Kullanıcılar için  
AEEE Yönetmeliğine Uygundur.

# IMPORTANT SAFETY INSTRUCTIONS

The following symbols are used in this User's Guide.



**WARNING:** Warning statements are used to indicate actions that may result in risk of severe personal injury or loss of life.



**CAUTION:** Caution statements are used to indicate actions that may result in damage to the printer or other property, or may result in risk of minor personal injury.

## Warning

1. Use only the AC adapter provided with this printer, or an AC adapter that has been approved by Seiko Instruments for use with this printer. Use of an incorrect AC adapter may cause risk of overheating or fire.
2. Do not bend or place a heavy object on the power cord as it could damage the cord and result in risk of electric shock or fire. Do not use the power cord if damaged or frayed.
3. The thermal head may become quite hot after printing. Be careful when changing labels and cleaning the thermal head.

## Caution

1. Never insert objects of any kind into this printer as they may touch dangerous voltage points or short out parts, and may result in a risk of fire or electric shock. Never spill liquid of any kind on the printer.
2. This printer contains no user-serviceable parts. Do not attempt to service the printer yourself as this can expose you to dangerous voltage points or other risks. Repair service should be performed by a trained technician.
3. Do not use this printer near water or in extreme humidity.
4. Be sure to hold only the connector end of the power cord or interface cable when disconnecting. Repeated pulling on the cable could damage the cable.
5. If any of the following conditions occur, turn off the printer and unplug the power cord from the power outlet:
  - The power cord is damaged or frayed.
  - Liquid has been spilled on the printer or the printer has been exposed to rain or water.
  - The printer does not recover from an error or the printer does not operate normally when the operating instructions are followed.
  - The printer exhibits a distinct change in performance, such as emitting a strange noise, odor or smoke.
6. Before using your SLP, please remove the clear protective tape covering on the Print Engine Cover and Roll Cover.
7. When the SLP is unused for a period of time without a label, rubber of the Platen may become stuck. This condition may cause the printer malfunction. To avoid this, please keep a label loaded in the SLP — even when not in use.
8. Do not use the SLP without closing the Print Engine Cover.

# Installation

For best performance, we recommend that you install your printer on a flat surface in a location that satisfies the following environmental conditions:

- Not subject to vibration
- Not exposed to direct sunlight
- Dust-free
- Condensation-free
- Temperatures: 15°C to 35°C (59°F to 95°F)
- Humidity: 30%RH to 80%RH (non condensing)

## ABOUT THIS GUIDE

This section lists the abbreviations used in this document.

- General Microsoft® Windows® → Windows
- Microsoft® Windows® 8.1 → Windows 8.1
- Microsoft® Windows® 10 → Windows 10
- Microsoft® Windows® 11 → Windows 11
- General Mac OS → Mac
- macOS™ → macOS
- SMART LABEL PRINTER® → SMART LABEL PRINTER
- SmartLabels™ → SmartLabels

Read this User's Guide carefully before using the printer.  
Keep this User's Guide in a place where it can be accessed quickly.

This guide will help you set up your SLP 620, 650, and 650SE, install the software, and use your SLP. For the software installation, Smart Label Creator, please refer to "Smart Label Creator Install User's Guide".

In writing this guide we assume that you are familiar with common operations using Windows or Mac.

## **This guide has six sections for easy reference:**

**Introduction**, provides some general information about the SLP 620, 650, and 650SE as well as the Smart Label program.

**Getting Started**, provides instructions for connecting the SLP 620, 650, and 650SE to your Windows-compatible PC or Mac, and loading labels into the printer. It also describes how to use on-line help.

**Changing Labels and Printer Care**, provides information for replacing a label roll and taking care of your SLP.

**Specifications**, provides SLP 620, 650, and 650SE specifications.

**Technical Support and Service**, provides technical support and service information.

**Ordering Labels and Parts**, provides information for ordering SmartLabels, replacement parts, and accessories.

# CONTENTS

INTRODUCTION .....	7
About Your SMART LABEL PRINTER .....	7
GETTING STARTED .....	8
What You Need .....	8
A Word about Labels .....	9
Caring for Labels .....	9
Installing the SLP 620, 650, or 650SE .....	10
Installing the Software .....	11
Connecting the SLP to a Power Outlet.....	12
Connecting the SLP to Your Computer .....	13
Setting up the Printer .....	14
Loading a Roll of Labels .....	14
Testing the Printer .....	17
CHANGING LABELS AND PRINTER CARE .....	18
Caring for Your Printer .....	18
Off-Line and On-Line Mode .....	19
Changing a Label Roll .....	19
Adjusting the Position of Labels .....	20
Removing Stuck Labels .....	22
Cleaning the Printer .....	23
SPECIFICATIONS .....	24
SMART LABEL PRINTER 620, 650, and 650SE .....	24
Status Light Indicators .....	27
TECHNICAL SUPPORT AND SERVICE .....	28
ORDERING LABELS AND PARTS .....	28
Ordering Labels .....	28
Ordering Parts .....	28



# INTRODUCTION

## About Your SMART LABEL PRINTER

The SMART LABEL PRINTER is the best way to instantly print one-at-a-time labels. Direct thermal printing technology does not use ink, toner or ribbon, just labels. The SLP produces fast, laser quality output on a variety of label sizes with the ability to print text, graphics, POSTNET codes and barcodes.

With the wide variety of available SmartLabels, you can use your SLP to create labels for just about anything. Here are some examples:

- Envelope labels
- File folder labels
- Video Tape
- Security Voucher
- Shipping labels
- Storage container labels
- Notebook labels
- Videocassette labels
- Barcode labels
- Business/Appointment Card
- Name badge labels
- CD or DVD labels
- Jewelry labels
- Binder labels
- Shelf labels

# GETTING STARTED

## What You Need

In order to use your SLP and Smart Label Creator, you need to have the following:

### **Windows Users:**

- Windows 8.1, Windows 10, or Windows 11
- USB port or RS-232C serial port

### **Mac Users:**

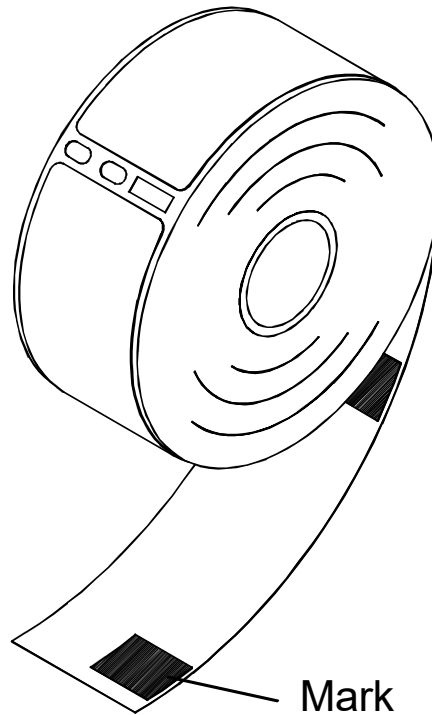
- macOS 10.14, macOS 10.15, macOS 11, or macOS 12
- Intel® processor
- USB port

## A Word about Labels

For best results we recommend the use of Seiko Instruments SmartLabels. Other brands may not be engineered to provide optimum, trouble-free results with your SLP; they may not work with your printer or they may damage it and void your warranty.

SmartLabels are available in a wide variety of sizes and colors to properly label almost anything.

The SmartLabels have a mark on the backing of each label that the SLP 620, 650, and 650SE uses for top of label alignment. Check to be sure the labels have this mark before loading them into the SLP.



**Note** : Older SmartLabels did not have this mark. Be sure that the SLP 620, 650, and 650SE are listed as supported printers on the SmartLabels package.

## Caring for Labels

The labels are sensitive to heat, moisture, and light. With this in mind:

- Store labels in a cool, dry place.
- Do not scratch or rub labels with a hard object.
- Do not expose labels to high heat or direct light for an extended period of time.
- Keep organic solvents away from labels.

# Installing the SLP 620, 650, or 650SE

Here, you'll find out how to unpack and set up your new SLP. As part of the setup process, you'll load a roll of standard address labels and run a quick test.

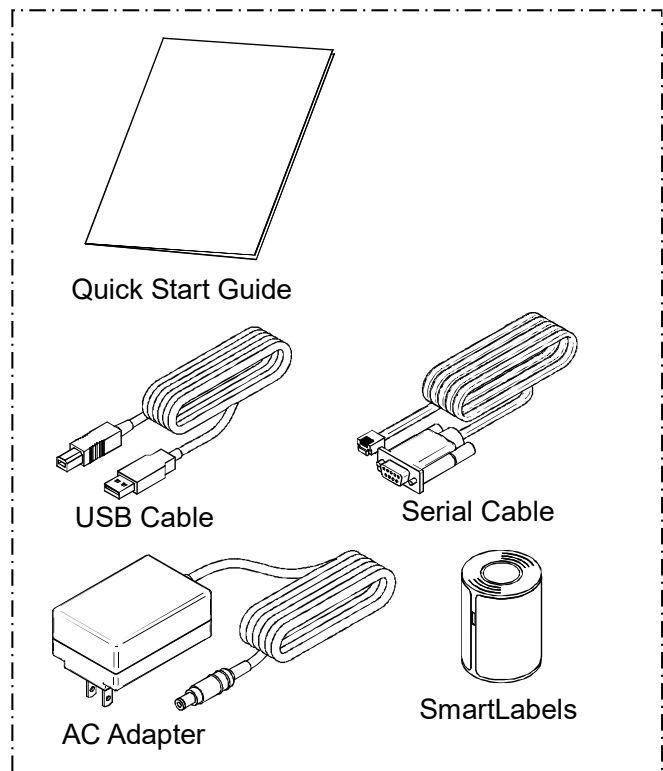
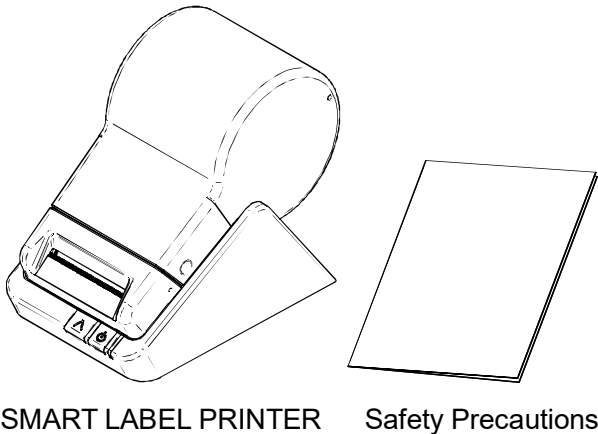
## Unpacking the SLP

Carefully remove the printer and its components from the box. It's a good idea to save the box and packing materials in case you need to store or ship the printer. Accessories vary depending on the package.

- SMART LABEL PRINTER (SLP 620, 650, or 650SE)
- Safety Precautions

(Accessories)

- USB cable
- Serial cable
- AC adapter
- Starter roll of SmartLabels
- Quick Start Guide



# Installing the Software

## Installing the Smart Label Creator for Mac

Please download the disc image file (.dmg) from the web page ([www.sii-ps.com/slp/](http://www.sii-ps.com/slp/)).

Double-click the downloaded disc image file (.dmg), it is mounted on the Mac volume. Start up the installer by double-clicking the *SII Smart Label Printer.pkg* file there.

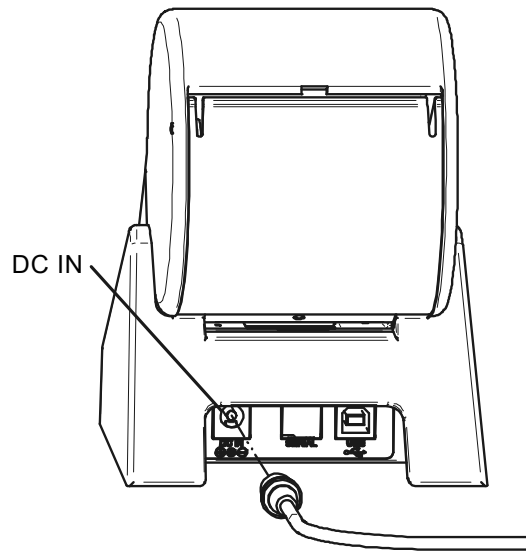
## Installing the Smart Label Creator for Windows

Please download the zip file from the web page ([www.sii-ps.com/slp/](http://www.sii-ps.com/slp/)).

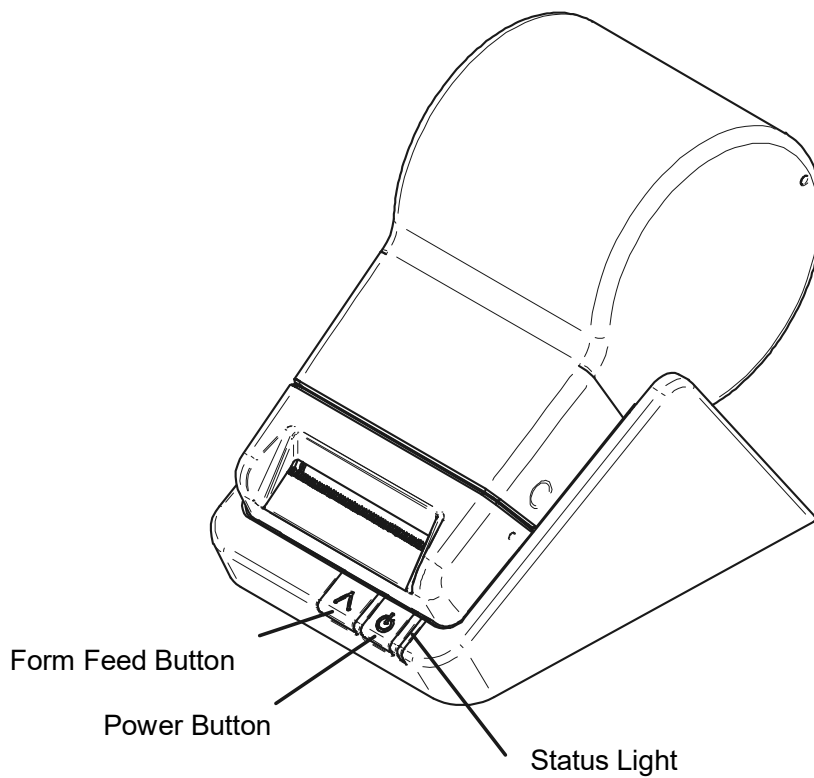
Double-click the downloaded zip file to unzip. Start up the installer by double-clicking the *Setup.exe* file inside the folder.

## Connecting the SLP to a Power Outlet

1. Connect the supplied AC adapter to the back of the SLP and to a power outlet.



2. The printer powers on automatically when connected to AC power. The Status Light will flash if no labels are loaded in the printer.



# Connecting the SLP to Your Computer

Use the USB or serial cable provided with the SLP 620, 650, or 650SE to connect the SLP to your computer.



**CAUTION:** Connecting or disconnecting the interface cable while the printer is turned on may damage the printer.

Follow these steps:

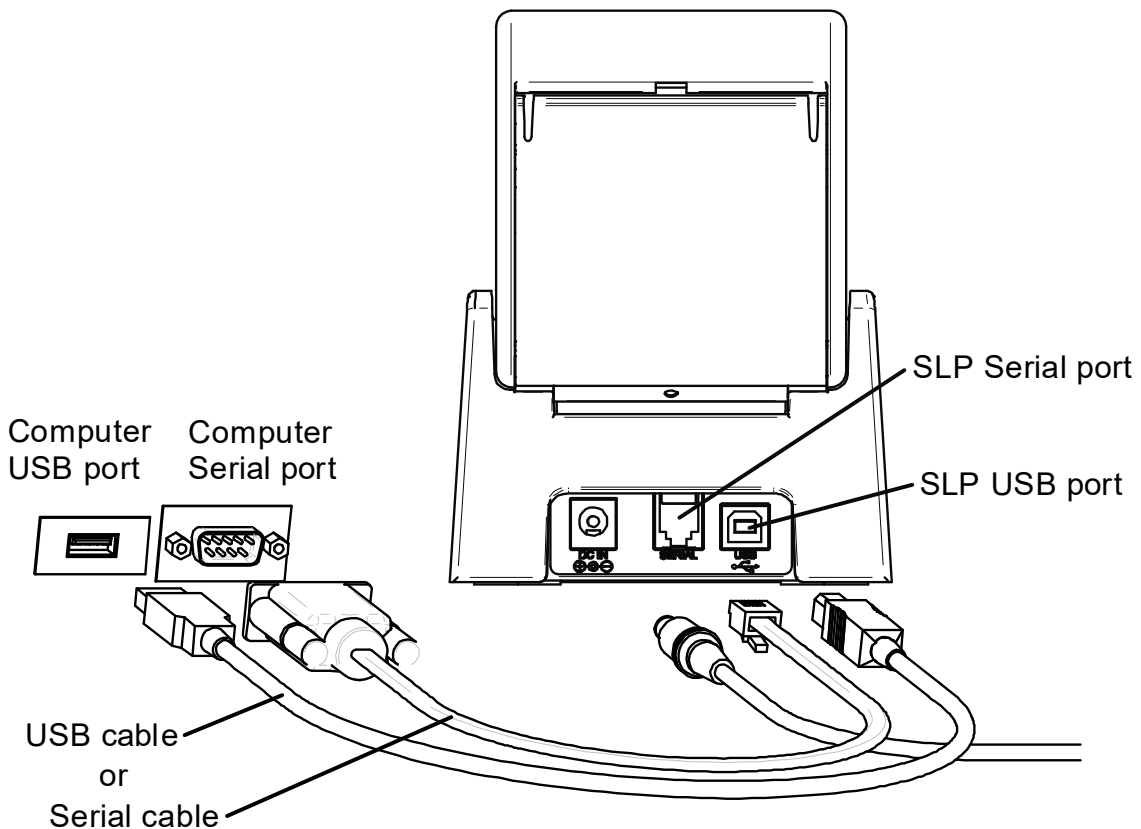
1. Make sure that the SLP is turned off. If the Status Light is on, hold the Power Button until the SLP is turned off.
2. Connect the printer to your PC or Mac.

When using the USB cable:

- Insert the USB cable into the USB port on your PC or Mac.
- If all USB ports are in use, you may need to purchase a USB hub.
- Connect the other end of the cable into the appropriate port on the back of the SLP.

When using the serial cable:

- Insert the serial cable into the serial port on your PC.
- Connect the other end of the cable into the appropriate port on the back of the SLP.



# Setting up the Printer

If the printer is not recognized using the installation wizard, you will need to set up your printer manually. To do so, please refer to "Smart Label Creator Install User's Guide".

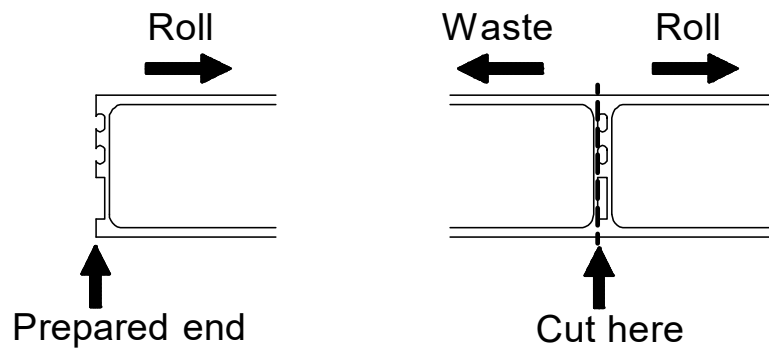
## Loading a Roll of Labels

### Prepare the Roll of Labels

1. Remove the sticker from the beginning of the roll of labels.

**Note:** Make sure there is a black mark on the label backing as shown in "A WORD ABOUT LABELS".

2. If necessary, cut between the labels to create a "leader".

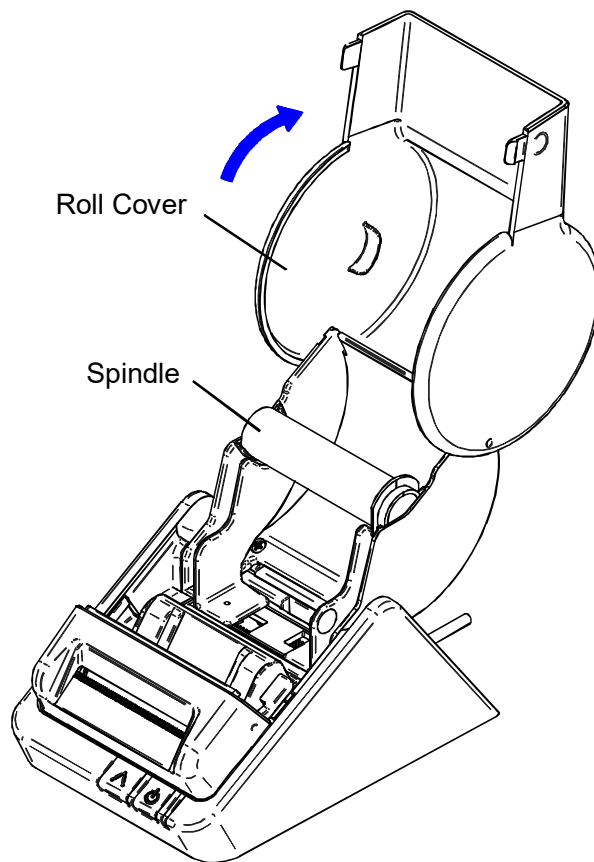
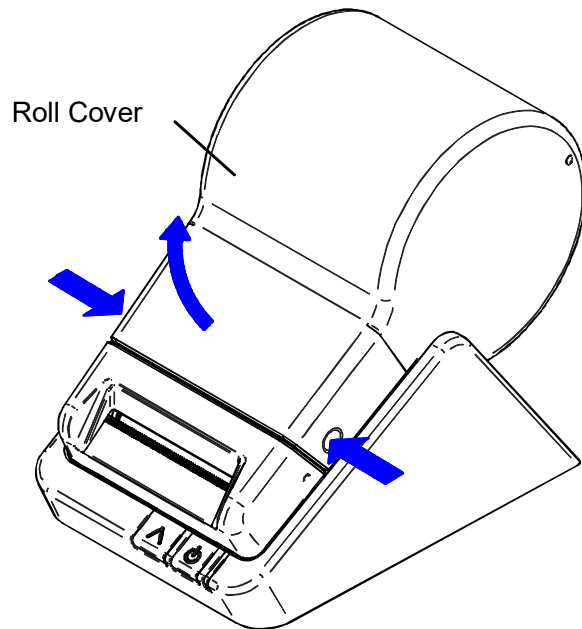


If the end of the roll is not prepared as shown above, cut between the labels leaving as much backing as possible on the end of the roll to act as a leader.

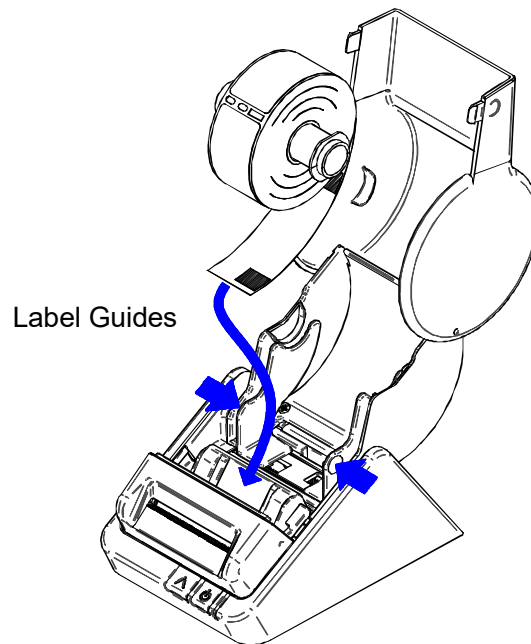


## Load the Roll of Labels

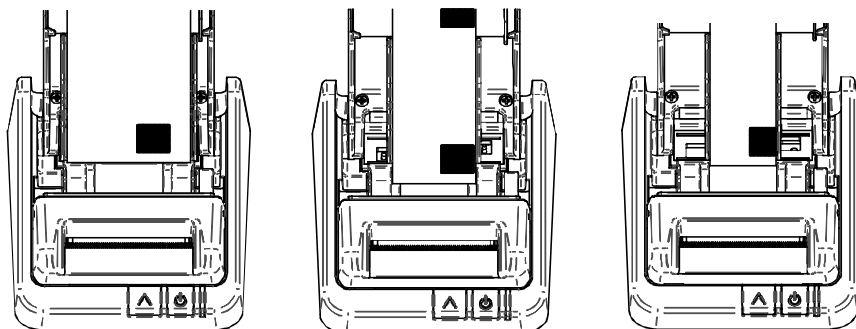
1. Make sure the power cord is connected and the printer is turned on. The green Status Light should be flashing.
2. Press the left and right side of the Roll Cover, and lift up the edge of the Roll Cover to open.



3. Remove the Spindle from the SLP and insert the label roll into the Spindle.
4. Insert the labels and Spindle into the SLP. Adjust the guides to fit the labels as shown below.



SLP provides three types of labels which have different paper width. Insert each label into positions shown in the figures below.

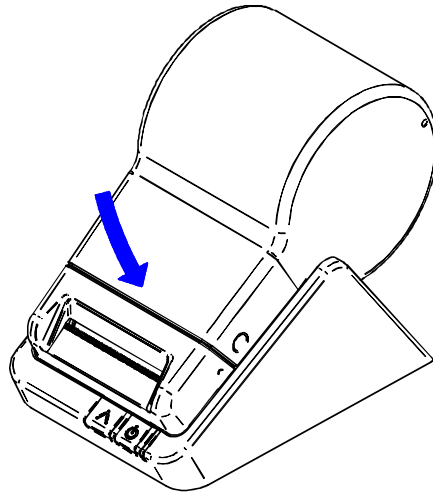


5. Insert the free end of the label roll, label side down, into the paper inlet slot. Push the label stock into the paper inlet slot until you feel a slight resistance. Continue pushing gently. The SLP automatically feeds the labels through and aligns the end in the exit slot.

If the label end doesn't appear through the exit slot:

Press and release the Form Feed Button to advance the labels.

6. Close the Roll Cover. At the time, be careful not to close the Roll Cover on your fingers.



## Testing the Printer

A quick test lets you know your printer is operating properly and that the labels are loaded correctly.

### Testing the SLP 620, 650, and 650SE

1. Press and hold the Power Button for 2 seconds to turn the printer standby.
2. Press and hold the Form Feed Button and then press the Power Button. The green Status Light will begin to flash. Do not release the Form Feed Button.
3. To print the serial number and firmware version:
  - While holding the Form Feed Button, press and release the Power Button once, and release the Form Feed Button.
4. To print the density test:
  - While holding the Form Feed Button, press and release the Power Button twice, and release the Form Feed Button.

# CHANGING LABELS AND PRINTER CARE

The SLP 620, 650, and 650SE uses advanced thermal print technology to provide crisp, high-contrast printing. There are no ribbons or cartridges to replace.

For best results we recommend the use of Seiko Instruments SmartLabels. Other brands may not be engineered to provide optimum, trouble-free results with your SMART LABEL PRINTER; they may not work with your SLP or they may damage it and void your warranty.

## Caring for Your Printer

Your SLP 620, 650, or 650SE is a high-precision device that's designed for trouble-free operation. Just follow these few precautions:

- The SLP 620, 650, or 650SE is designed for use only with Seiko Instruments SmartLabels. Use of improper labels may damage the printer and void your warranty.
- Don't operate the printer in a dusty environment.
- Keep the printer out of direct sunlight.
- Turn off the printer when not in use.
- Pull out the power plug when the printer is not in use for a long time.

## Discarding Old Printers

When discarding old and used SMART LABEL PRINTER, please follow the disposal or recycling regulations in your area.

## Off-Line and On-Line Mode

Pressing and releasing the Power Button toggles the printer between Off-line and On-line mode. An amber Status Light indicates that the printer is Off-line. There is no communication with the computer when the printer is Off-line.

This feature is a handy way to stop printing so you don't waste labels while you delete labels from the print queue.

## Changing a Label Roll

This procedure describes how to remove and replace label rolls.

- You can load a different type of label at any time — you don't have to wait until all of the labels have been used.
- When you run out of labels, the green Status Light on the front of the SLP flashes. If printing is in process, a message appears on the PC telling you that the printer is out of labels.

## Removing the Old Roll



**CAUTION** : DO NOT pull on the labels to remove them from the printer. This may cause labels to get stuck inside the printer.

1. Tear off any printed labels. If labels aren't torn off, they may get jammed when you perform step 2.
2. Press and hold the Form Feed Button. The labels will reverse out of the SLP. If this does not work, see "Adjusting the Position of Labels" to release the Platen to remove the labels

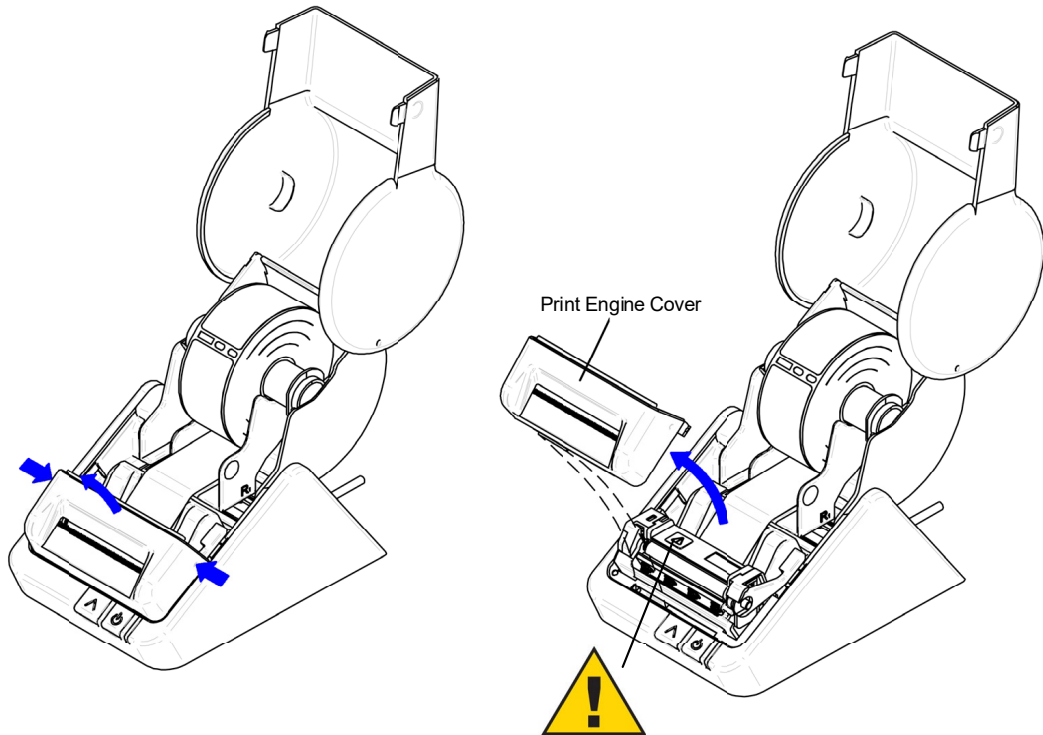
## Loading the New Roll

Prepare and load the new label roll as described in "Loading a Roll of Labels".

# Adjusting the Position of Labels

If you find the labels are advancing at an angle, follow these steps to realign them:

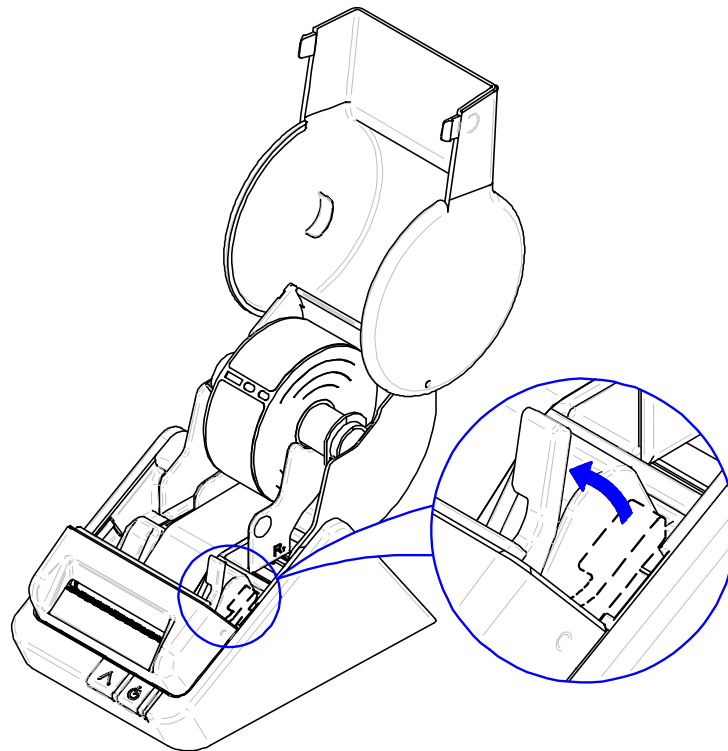
1. Make sure that the SLP is turned off. If the Status Light is on, hold the Power Button until the SLP is turned off.
2. Swivel the Roll Cover open and remove the Print Engine Cover by pulling it toward you while pressing the left and right side of the Print Engine Cover.



**WARNING:** The thermal head may become quite hot after printing.  
Be careful when changing labels and cleaning the thermal head.

**CAUTION:** Do not use the SLP without closing the Print Engine Cover.

3. Release the pressure on the label stock by moving the Platen Release Lever forward. When you let go of the Platen Release Lever, it goes back to the original position. Hold the Platen Release Lever until the adjustment of the label position completes.



4. Realign the label stock so it is straight.
5. Return the Platen Release Lever.
6. Replace the Print Engine Cover, starting at the bottom, and push the top edge forward until the Print Engine Cover snaps into place.
7. Make sure the labels feed through the paper inlet slot.

# Removing Stuck Labels

If a label becomes stuck in your printer, remove it as follows:

1. Make sure that the SLP is turned off. If the Status Light is on, hold the Power Button until the SLP is turned off.
2. Swivel the Roll Cover open. With a pair of scissors, cut the label stock between the label roll and the paper inlet slot.
3. Remove the Print Engine Cover by pulling it toward you while pressing the left and right side of the Print Engine Cover.
4. Release the pressure on the label stock by moving the Platen Release Lever forward. When you let go of the Platen Release Lever, it goes back to the original position. Hold the Platen Release Lever until a label is removed.
5. Remove the stuck label.



**CAUTION:** DO NOT touch the print engine. It may be hot.

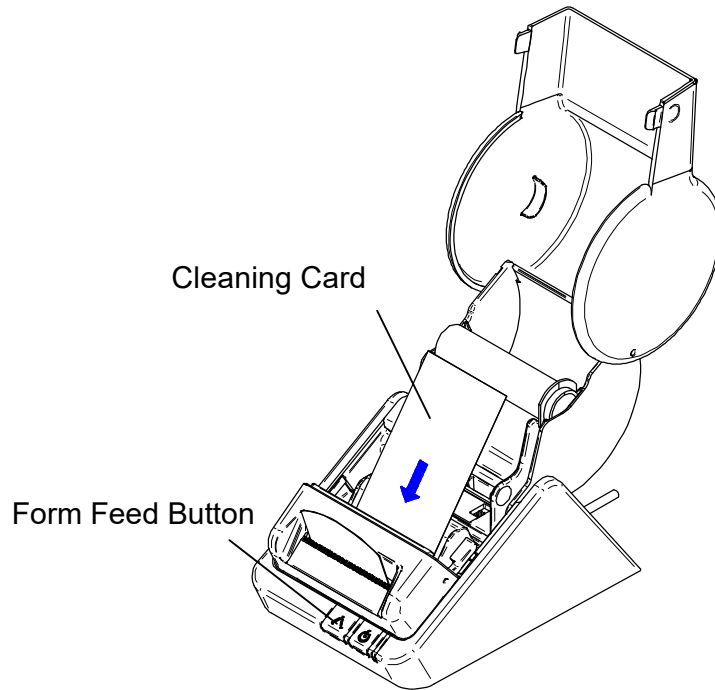
6. Return the Platen Release Lever to the original position.
7. Replace the Print Engine Cover, starting at the bottom, and push the top edge forward until the Print Engine Cover snaps into place.



# Cleaning the Printer

## When Using the Cleaning Card

1. Remove label stock from the printer.
2. Insert the Seiko SMART LABEL PRINTER Cleaning Card (SLP-CLNCRD).
3. The Cleaning Card should feed automatically or you can press the Form Feed Button to manually feed the card in a couple of times (you may also gently pull the card to guide it through the Platen).



4. Properly dispose of the used card.

# SPECIFICATIONS

## SMART LABEL PRINTER 620, 650, and 650SE

The SMART LABEL PRINTER is a compact printing device ideally suited for label printing applications. There are no built-in fonts and any text must be converted to a bitmap image by a host computer or device for printing.

Developer information can be found on our website [www.sii-ps.com/slp/](http://www.sii-ps.com/slp/)

### Printer

Specifications	SLP620	SLP650,650SE
Technology	Direct thermal	
Resolution	203 dpi (8 dots/mm)	300 dpi (11.81 dots/mm)
Max. Paper Width	57.9 mm (2.28 in.)	
Max. Printable Width	48.0 mm (1.89 in.)	48.8 mm (1.92 in.)
Print Speed	70 mm/sec max.	100 mm/sec max.
Interface	USB	650 USB 650SE USB,RS-232C
Operating voltage	DC5.7 to 6.3 V	DC11.4 to 12.6 V
Current consumption (Normal)	2.3 A	2.8 A
Current consumption (Maximum)	2.5 A	3.0 A
Power consumption (Power off status)	0.379 W	0.471 W
Dimensions	113.8 mm (W) x 172.0 mm (D) x 148.0 mm (H) (4.48 in. (W) x 6.77 in. (D) x 5.83 in. (H))	
Mass	Approx. 490 g (1.08 lbs.)	
Life Span	6 km	15 km

### AC Adapter

Specifications	PW-B0625-W2	PW-B1230-W2
Input voltage	AC100 to 240 V	
Input AC frequency	50 to 60 Hz	
Output voltage	DC5.9 V	DC12.0 V
Output current	2.5 A	3.0 A
Output power	14.75 W	36.0 W
Average active efficiency	81.722% min.	87.41% min.
Efficiency at low load (10%)	72.372% min.	78.303% min.
No-load power consumption	0.075 W	0.1 W
Operating temperature	5°C to 40°C (41°F to 104°F)	
Dimensions	75.0 mm (L) x 35.8 mm (W) x 65.6 mm (H)	76.0 mm (L) x 50.0 mm (W) x 40.5 mm (H)
Mass	148 g	171.8 g

## Sale Destinations

Sale destinations of the printer and specified accessories are listed below.

<b>Country/Region*</b>	<b>Printer</b>	<b>AC Adapter</b>
USA Canada	SLP620	PW-B0625-W2-U
EU, EFTA Turkey Israel Brazil Tunisia		PW-B0625-W2-E
UK Malaysia		PW-B0625-W2-B

\*: Ask your SII sales representative if you want to operate the products in other countries than listed above.

<b>Country/Region*</b>	<b>Printer</b>	<b>AC Adapter</b>
USA Canada	SLP650, SLP650SE	PW-B1230-W2-U
EU, EFTA Turkey Israel Brazil Tunisia		PW-B1230-W2-E
UK Malaysia		PW-B1230-W2-B

\*: Ask your SII sales representative if you want to operate the products in other countries than listed above.

## Environment

Specifications	SLP620	SLP650,650SE
Operating Temperature	5°C to 40°C (41°F to 104°F)*	
Storage Temperature	-20°C to 60°C (-4°F to 140°F)	
Operating Humidity	30%RH to 80%RH (non condensing)	
Storage Humidity	10%RH to 90%RH (non condensing)	

\* Particular papers are excluded.

## Status Light Indicators

LED Indicator	State
Off	Power off/Stand-by
Steady Green	On-line
Steady Yellow	Off-line
Blinking Green 1*	Paper out
Blinking Green 3*	Cooling down
Blinking Yellow 1*	Paper jam
Blinking Yellow 2*	Buffer overflow
Blinking Red 1*	Head temperature error
Blinking Red 2*	Voltage error
Blinking Red 3*	Head error
Blinking Red 5*	Hard error

\* The number refers to the number of blinks.

# TECHNICAL SUPPORT AND SERVICE

Please refer to the "Troubleshooting" topic in on-line Help for information on how to determine if your SMART LABEL PRINTER needs service and how to contact Seiko Instruments for Technical Support and repairs.

You can contact Technical Support on our website under the Support section at:  
**[www.sii-ps.com/slp/](http://www.sii-ps.com/slp/)**

## ORDERING LABELS AND PARTS

### Ordering Labels

For best results we recommend the use of Seiko Instruments SmartLabels. Other brands may not be engineered to provide optimum, trouble-free results with your SLP; they may not work with your printer or they may damage it and void your warranty.

For information on ordering labels, please choose the How to Order Labels command on the Help menu or refer to the "Ordering Labels" topic in on-line Help.

You can order labels directly from Seiko Instruments on our website at the following address:  
**[www.sii-ps.com/slp/](http://www.sii-ps.com/slp/)**

### Ordering Parts

For information on ordering replacement parts and accessories, please refer to your SLP model in the "Troubleshooting" topic in on-line Help.

You can order parts directly from Seiko Instruments on our website at the following address:  
**[www.sii-ps.com/slp/](http://www.sii-ps.com/slp/)**

Seiko Instruments USA Inc.

Thermal Printer Div.

21221 S. Western Avenue, Suite 250, Torrance, CA 90501, USA

Telephone:+1-310-517-7778 Facsimile:+1-310-517-7779

Seiko Instruments GmbH (Economic operator)

Siemensstrasse 9, D-63263 Neu-Isenburg, Germany

Telephone:+49-6102-297-0 Facsimile:+49-6102-297-222

Commercial registration number: 5 HRB 8309

[info@seiko-instruments.de](mailto:info@seiko-instruments.de)

Seiko UK Ltd. (Authorized Representative in the United Kingdom)

SC House, Vanwall Road, Maidenhead, Berkshire, SL6 4UW